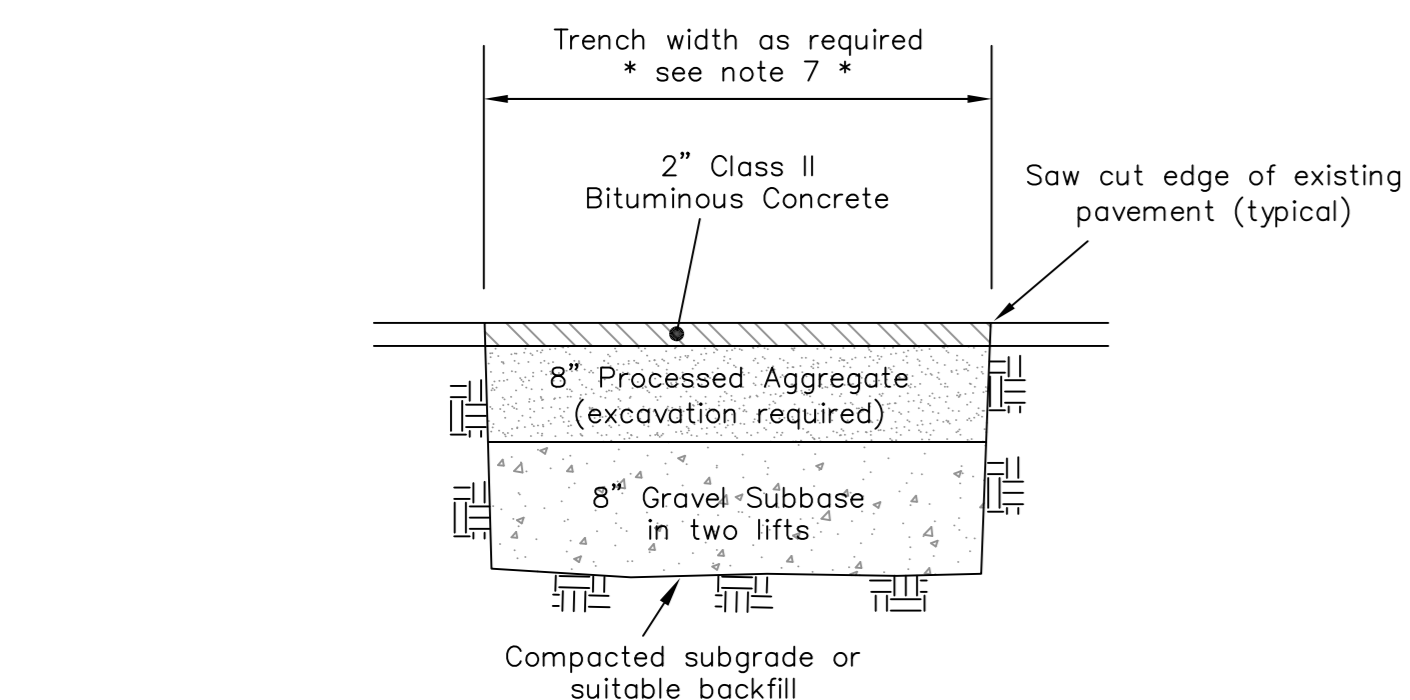


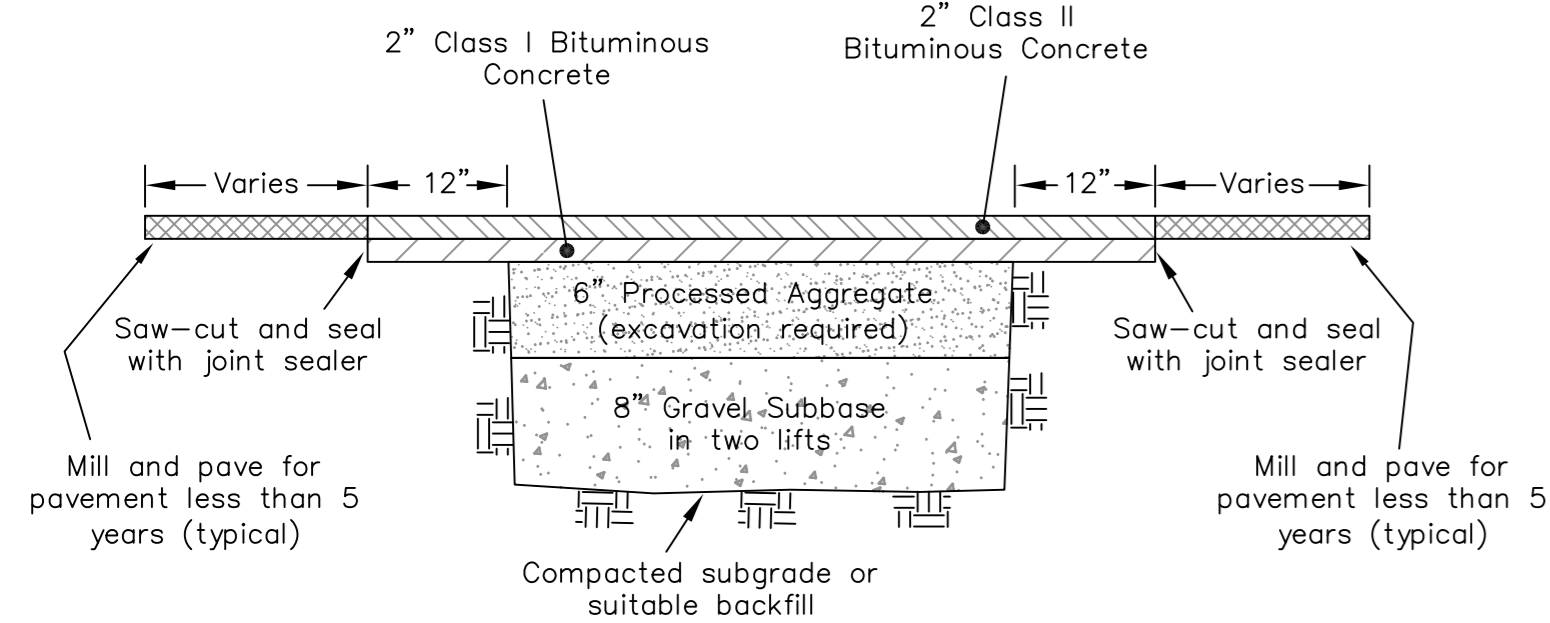
Typical Trench Section

Not to scale



Temporary Pavement Repair Detail

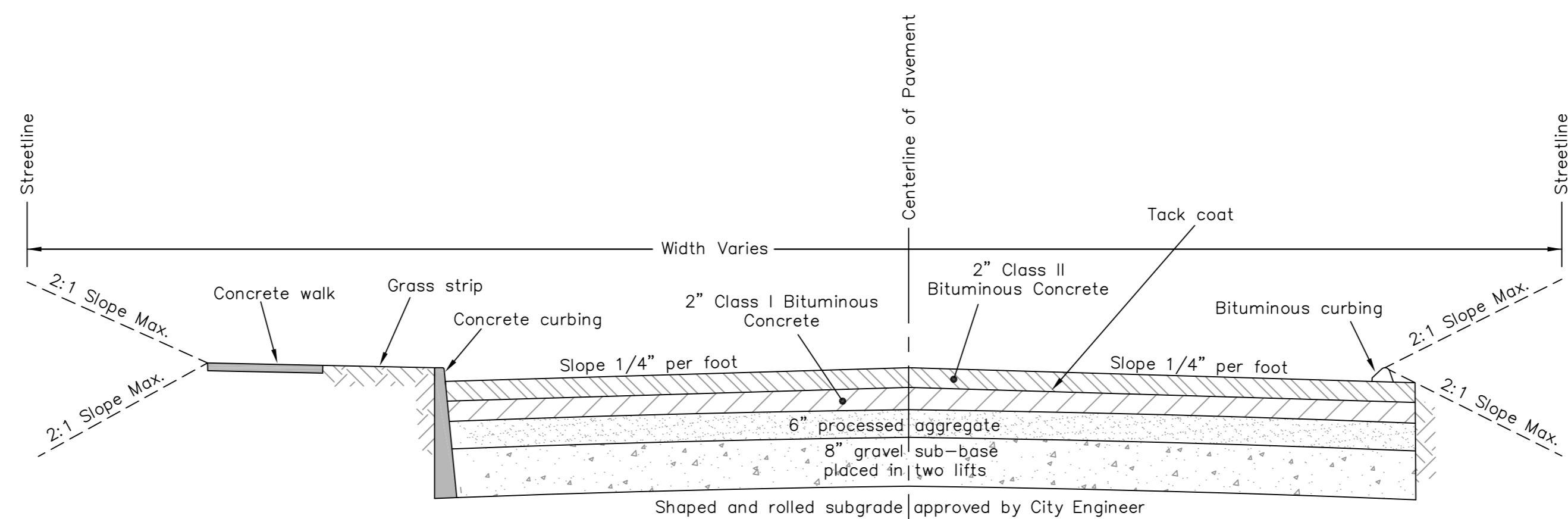
Not to scale



Permanent Pavement Repair Detail

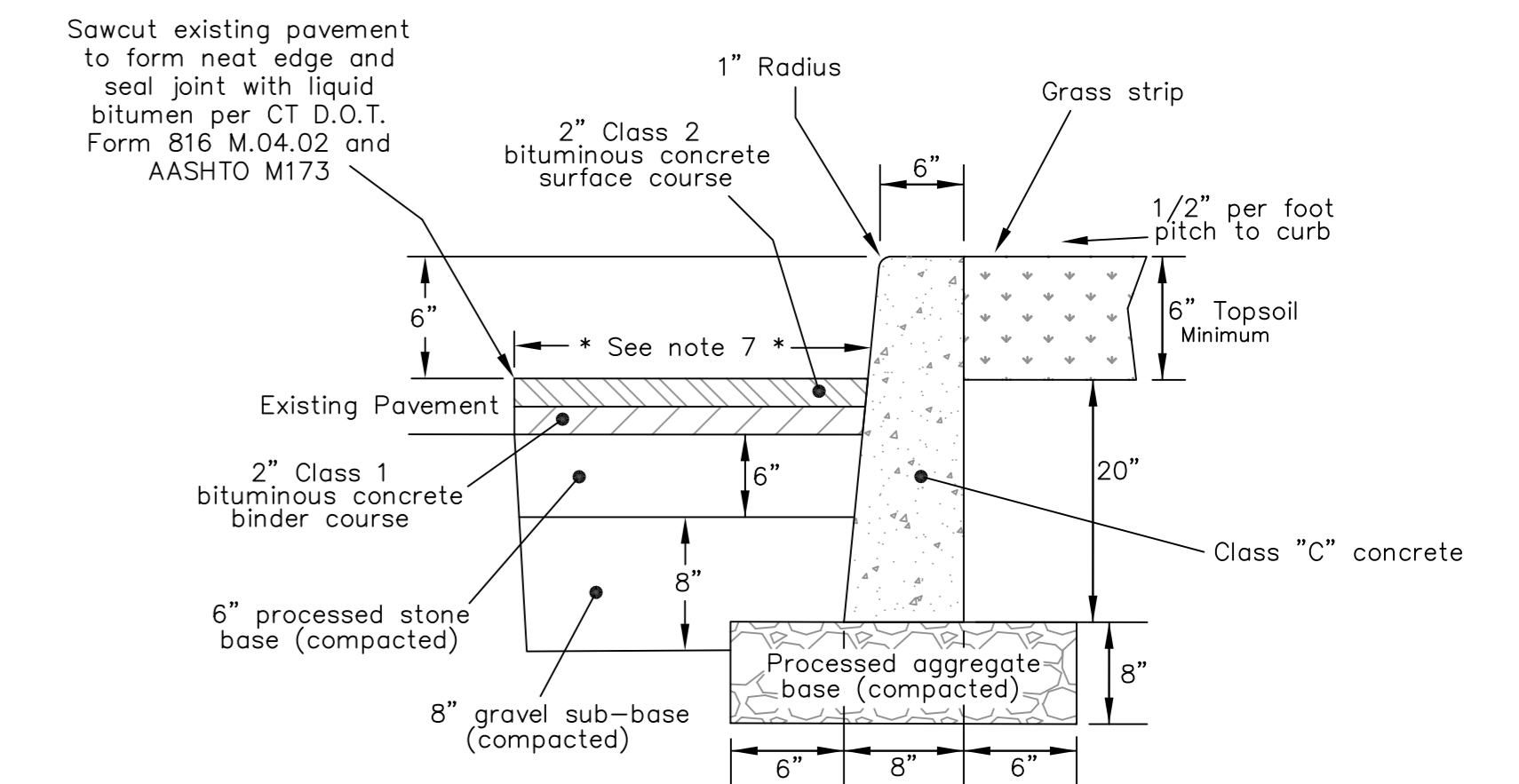
Not to scale

NOTE: Match existing pavement thickness up to 9" with Class I bituminous concrete in 3" maximum lifts within the processed aggregate and gravel subbase layers.



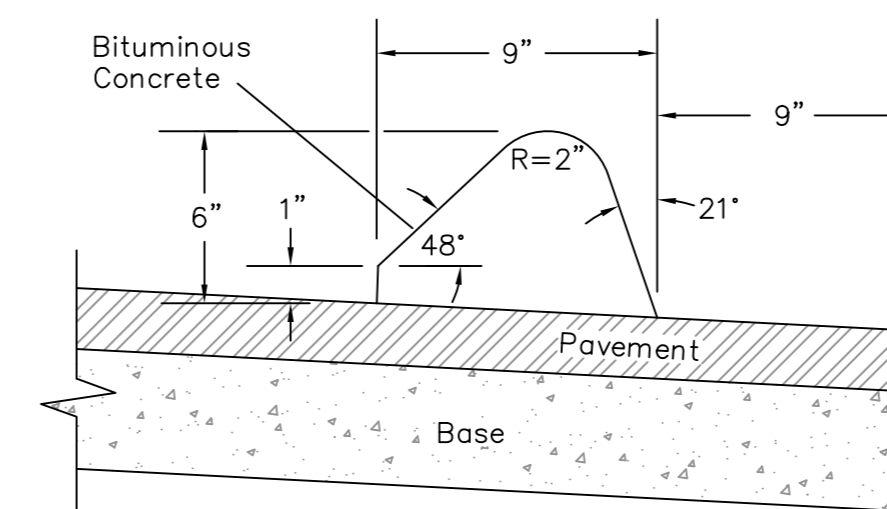
Street Cross Section

Not to scale



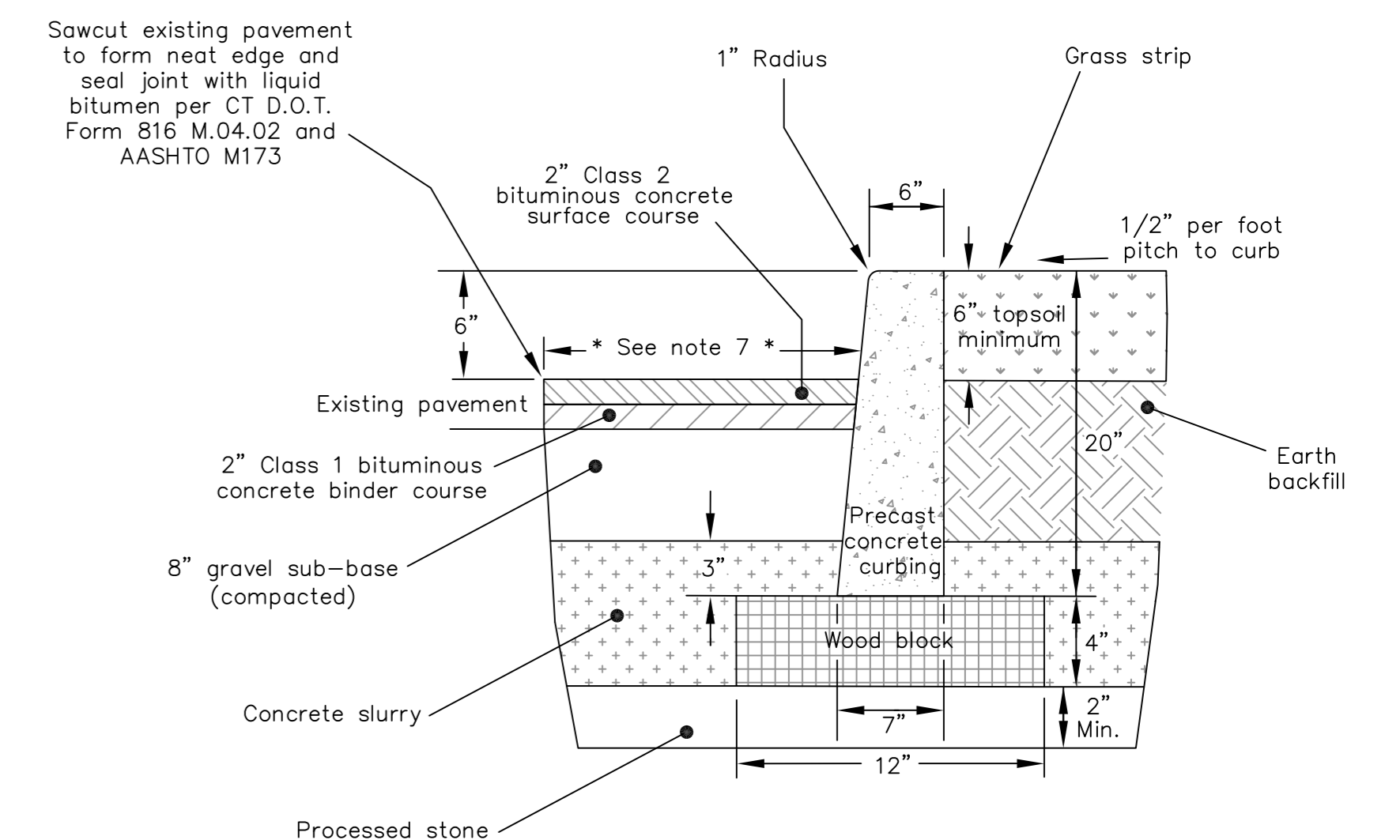
Poured in Place Concrete Curb Detail

Not to scale



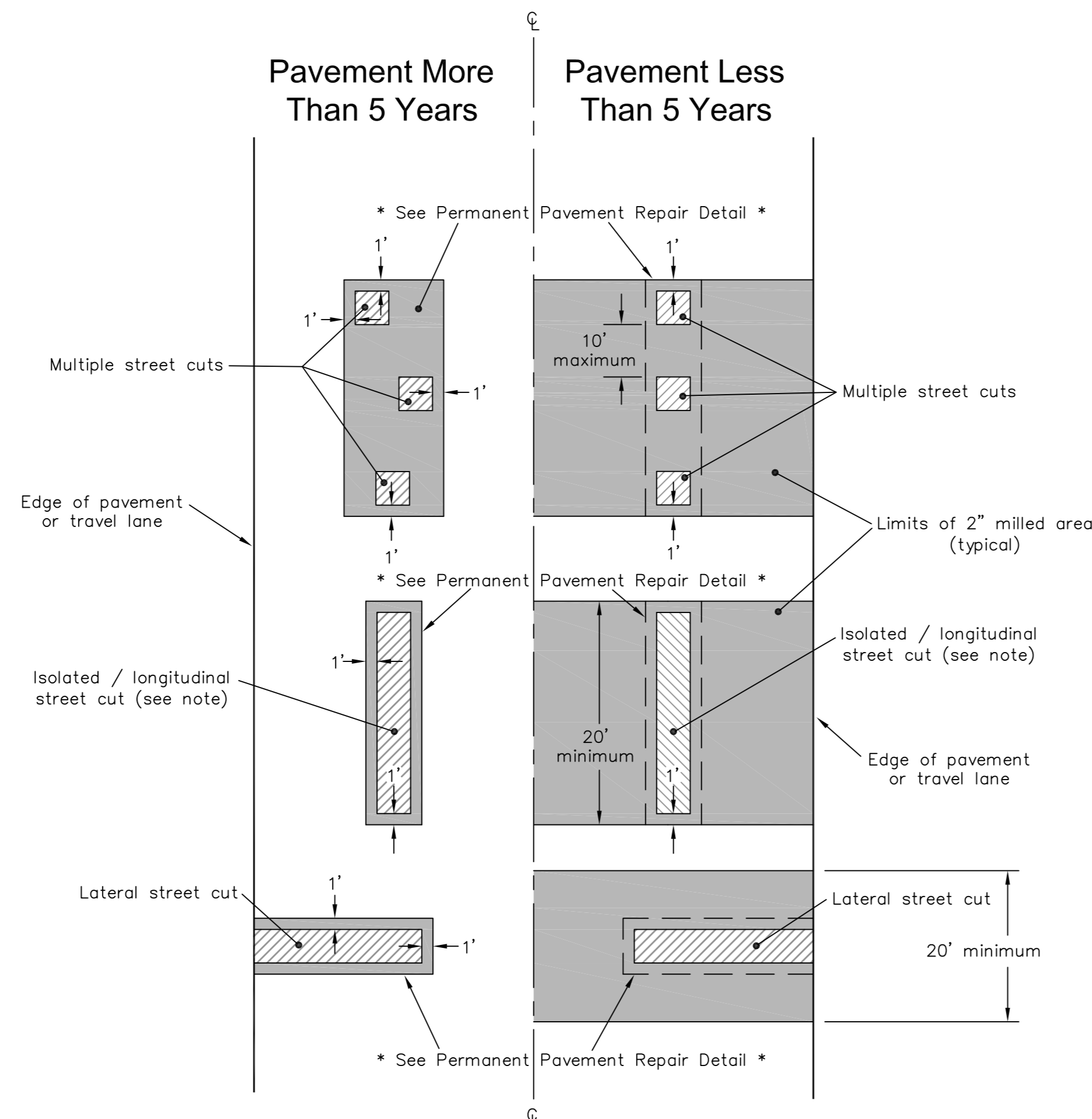
Bituminous Concrete Lip Curbing - Machine Formed

Not to scale



Precast Concrete Curb Detail

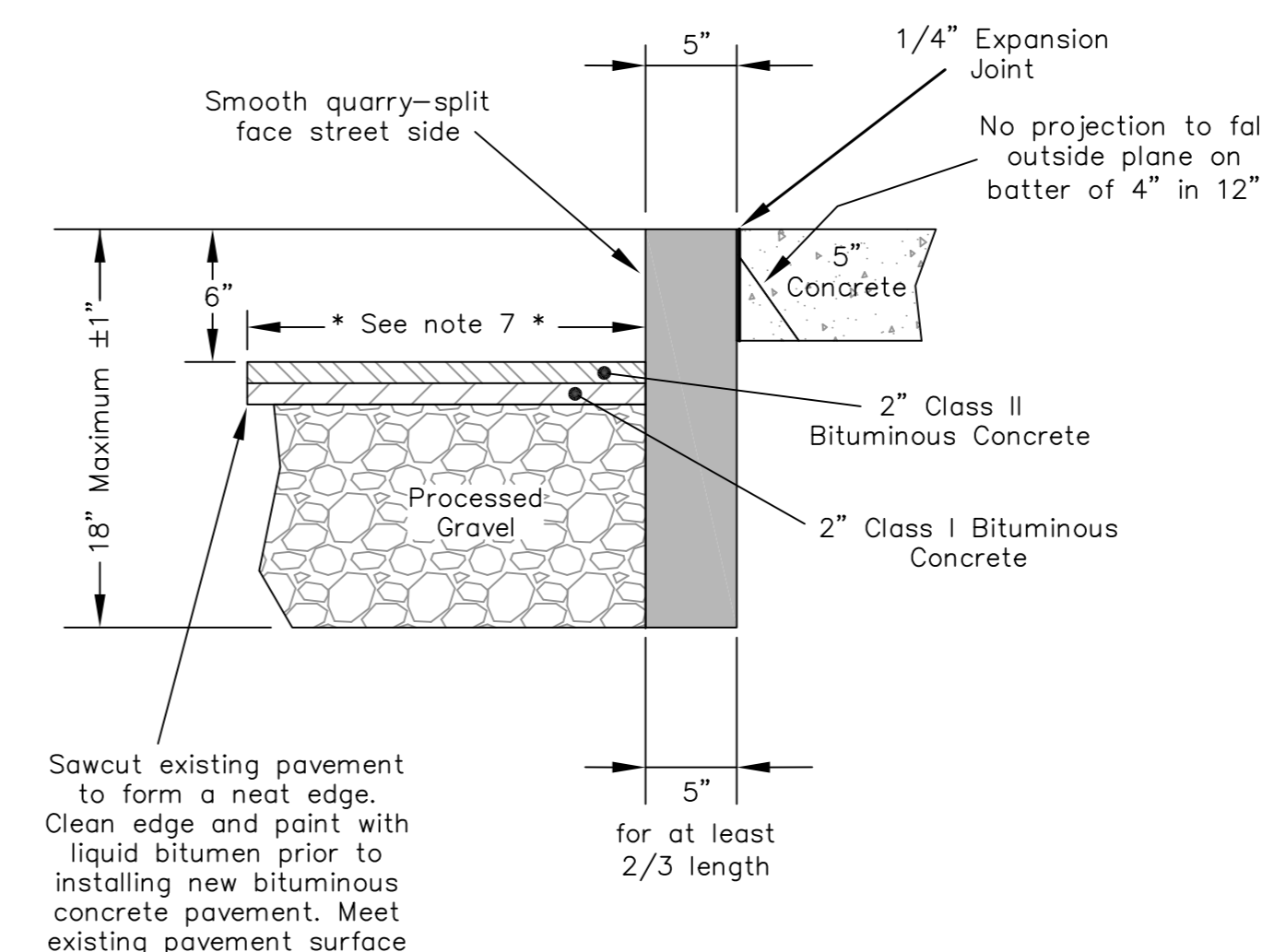
Not to scale



Pavement Restoration Detail

Not to scale

NOTE: Alternate repair methods may be acceptable upon approval of City Engineer.




Granite Curbing Detail

Not to scale

ROADWAY STANDARD NOTES:

1. The Contractor shall contact "Call Before You Dig" at 1-800-922-4455 for location and marking of all existing utilities prior to any excavation.
2. The City Public Works Facility Inspector must be notified by the Contractor a minimum of 48 hours prior to beginning construction.
3. Multiple pavement repair locations are to be a minimum of 10 feet apart from edge of repair to edge. If less than 10 feet apart a continuous section must be replaced. Milling is acceptable outside the patch repair limits.
4. All repairs to streets with pavement surface less than 5 years old are to extend the full width of the travel lane or to edge of roadway.
5. Temporary patches shall be in place a minimum of 6 months, including one winter/spring season.
6. Patch area must be wide enough to accommodate mechanical compaction equipment.

Detail Sheet		DATE: 01/02/2013
Pavement Standards		DESIGN: BBD
DEPARTMENT OF PUBLIC WORKS		SCALE: Not to Scale
Engineering Division		DWG.
City Hall		Room 19
Meriden, Connecticut		SHEET 1 OF 1